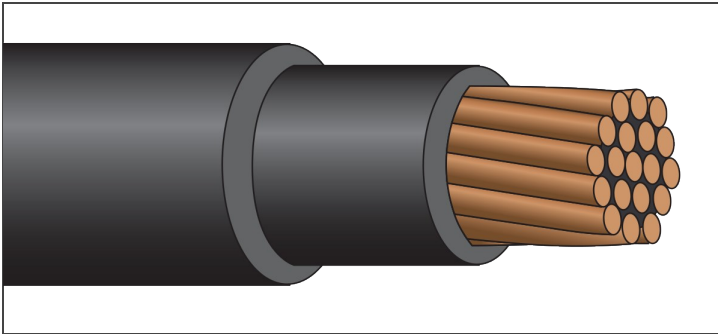


SINGLE CONDUCTOR



XHHW-2/SERVICECPE®
600/1,000 Volt Copper



Description:

Single copper conductor, stranded, insulated with moisture and heat resistant, chemically crosslinked polyethylene (*type XHHW-2*) and covered with a sunlight resistant, CPE jacket. **Available with tinned conductors.**

Standards:

UL 44
ICEA S-95-658/NEMA WC-70
Federal Spec. A-A-59544
Flame Rated: CT Use (*1/0 AWG and larger*)
Temperature Rated at 90°C Wet/Dry
Sunlight Resistant
RoHS Compliant

Part Number	Size (AWG or Kcmil)	Strand (no.)	Insulation Thickness (mils)	Jacket Thickness (mils)	Nominal Diameter Overall (in.)	Approx. Net Weight (lb./1000')	Ampacity* (30°C ambient) 90°C Wet/Dry
XHCPE14	14	7	30	30	0.19	27	25†
XHCPE12	12	7	30	30	0.21	37	30†
XHCPE10	10	7	30	30	0.24	51	40†
XHCPE8	8	7	45	30	0.29	79	55
XHCPE6	6	7	45	30	0.33	115	75
XHCPE4	4	7	45	30	0.38	169	95
XHCPE3	3	7	45	30	0.40	206	115
XHCPE2	2	7	45	30	0.43	253	130
XHCPE1	1	19	55	45	0.52	332	145
XHCPE1/0	1/0	19	55	45	0.56	409	170
XHCPE2/0	2/0	19	55	45	0.60	504	195
XHCPE3/0	3/0	19	55	45	0.65	621	225
XHCPE4/0	4/0	19	55	45	0.71	768	260
XHCPE250	250	37	65	65	0.80	923	290
XHCPE300	300	37	65	65	0.85	1,090	320
XHCPE350	350	37	65	65	0.90	1,255	350
XHCPE400	400	37	65	65	0.95	1,419	380
XHCPE500	500	37	65	65	1.03	1,746	430
XHCPE600	600	61	80	65	1.13	2,092	475
XHCPE750	750	61	80	65	1.23	2,579	535

*Per NEC Table 310.15 (B)(16). †The overcurrent protection for items marked with an obelisk (†) shall not exceed 15 amps for #14 AWG, 20 amps for #12 AWG and 30 amps for #10 AWG per NEC 310-17 footnote. NOTE: The data shown is approximate and subject to standard industry tolerances.