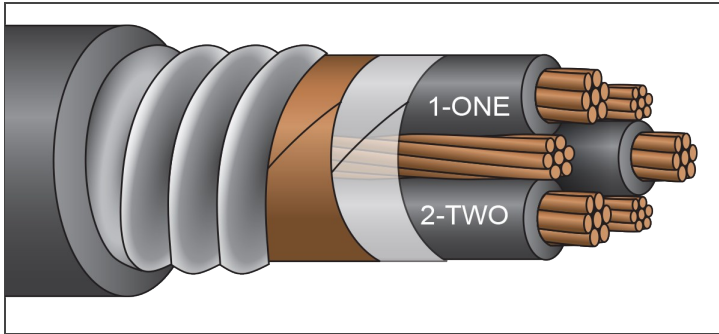


**SERVICEDRIVE®**



**VFD CABLE (JACKETED MC)  
XHHW-2/PVC**

600/1,000 Volt Copper

*\*Patented for use with ServiceDrive® connector and termination kit.*



**Description:**

3 conductors, stranded, insulated with heat and moisture resistant crosslinked polyethylene (type XHHW-2), phase identified and cabled with suitable fillers and 3 symmetrical copper ground conductors. Cable core covered with binder tape, 5-mil helical copper tape shield and aluminum interlocked armor with overall PVC jacket. **Available in 1kV or 2kV and CPE or EnviroPlus® (LSZH) jacket.**  
**Available with galvanized steel interlocked armor, tinned conductors and 50% grounds\*.**

**Application:**

For use in ASD/VFD applications.

Suitable for use in hazardous locations: Class I - Div 2,  
Class II - Div 2, Class III - Div 1 and 2

**Standards:**

UL 1569  
ICEA S-95-658/NEMA WC-70  
Flame Rated: IEEE 383 (70,000 BTU), ICEA T-29-520 (210,000 BTU),  
IEEE 1202/CSA FT-4, Two-hour Firewall  
Temperature Rated at 90°C Wet/Dry  
Cold Temperature Rated at -25°C  
Sunlight and Oil Resistant II  
Jacket Direct Burial (includes encasement in concrete)  
Color Code: Method 4  
RoHS Compliant

| Part Number | Size (AWG or Kcmil) | Strand (no.) | Insulation Thickness (mils) | Grounding Conductors (AWG) | Diameter over Armor (in.) | PVC Jacket Thickness (mils) | Approx. Diameter Overall (in.) | Approx. Net Weight (lb./1000') | Ampacity** (30°C ambient) 90°C Wet/Dry |
|-------------|---------------------|--------------|-----------------------------|----------------------------|---------------------------|-----------------------------|--------------------------------|--------------------------------|--|
| VFDAP14/3   | 14†                 | 7            | 45                          | 3-#14                      | 0.57                      | 50                          | 0.67                           | 332                            | 25                                     |
| VFDAP12/3   | 12†                 | 7            | 45                          | 3-#14                      | 0.63                      | 50                          | 0.73                           | 389                            | 30                                     |
| VFDAP10/3   | 10†                 | 7            | 45                          | 3-#14                      | 0.67                      | 50                          | 0.77                           | 449                            | 40                                     |
| VFDAP8/3    | 8†                  | 7            | 45                          | 3-#14                      | 0.73                      | 50                          | 0.83                           | 545                            | 55                                     |
| VFDAP6/3    | 6                   | 7            | 45                          | 3-#12                      | 0.81                      | 50                          | 0.91                           | 710                            | 75                                     |
| VFDAP4/3    | 4                   | 7            | 45                          | 3-#10                      | 0.91                      | 50                          | 1.01                           | 957                            | 95                                     |
| VFDAP3/3    | 3                   | 7            | 45                          | 3-#10                      | 0.97                      | 50                          | 1.07                           | 1,096                          | 115                                    |
| VFDAP2/3    | 2                   | 7            | 45                          | 3-#10                      | 1.03                      | 50                          | 1.13                           | 1,265                          | 130                                    |
| VFDAP1/3    | 1                   | 19           | 55                          | 3-#10                      | 1.15                      | 50                          | 1.25                           | 1,514                          | 145                                    |
| VFDAP1/03   | 1/0                 | 19           | 55                          | 3-#10                      | 1.31                      | 50                          | 1.41                           | 1,901                          | 170                                    |
| VFDAP2/03   | 2/0                 | 19           | 55                          | 3-#10                      | 1.41                      | 50                          | 1.51                           | 2,237                          | 195                                    |
| VFDAP3/03   | 3/0                 | 19           | 55                          | 3-#8                       | 1.51                      | 60                          | 1.63                           | 2,732                          | 225                                    |
| VFDAP4/03   | 4/0                 | 19           | 55                          | 3-#8                       | 1.63                      | 60                          | 1.75                           | 3,244                          | 260                                    |
| VFDAP250/3  | 250                 | 37           | 65                          | 3-#8                       | 1.75                      | 60                          | 1.87                           | 3,793                          | 290                                    |
| VFDAP350/3  | 350                 | 37           | 65                          | 3-#6                       | 1.97                      | 60                          | 2.09                           | 5,028                          | 350                                    |
| VFDAP500/3  | 500                 | 37           | 65                          | 3-#6                       | 2.25                      | 60                          | 2.37                           | 6,712                          | 430                                    |
| VFDAP600/3  | 600                 | 61           | 80                          | 3-#6                       | 2.45                      | 75                          | 2.60                           | 7,981                          | 475                                    |
| VFDAP750/3  | 750                 | 61           | 80                          | 3-#4                       | 2.69                      | 75                          | 2.84                           | 9,775                          | 535                                    |
| VFDAP1000/3 | 1000                | 61           | 80                          | 3-#2                       | 3.13                      | 85                          | 3.30                           | 12,243                         | 615                                    |

†UL Listed Only  
\*\*Per NEC Table 310.15 (B)(16). NOTE: The data shown is approximate and subject to standard industry tolerances.