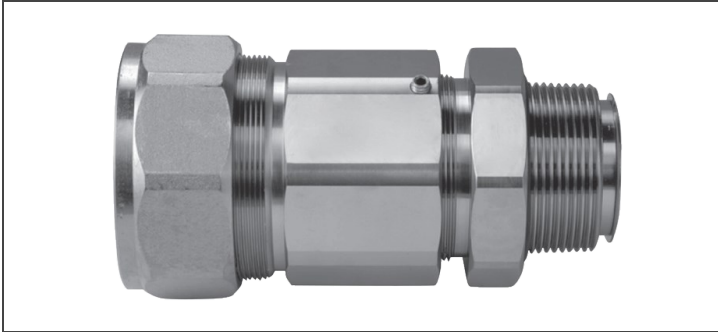


**SERVICEDRIVE®**



**VFD CONNECTOR (MC)**

600 Volt Copper

*\*Patented for use with ServiceDrive® VFD Cable Systems*



**Description:**

Patented connectors are designed exclusively to terminate VFD cables in control centers, panel boards, junction boxes and motor control enclosures. **1kV and 2kV connectors available.**

**Standards:**

Class I - Div 2, Class II - Div 1 and 2

NEMA 4

IP65

Thread Type: NPT

*\*U.S. Patent No. 7,309,835*

Part Number	3 Conductor Wire Size (AWG or Kcmil)	Hub Size	Set Screw Size
CONASD14/3	14	3/4"	10/32 x 1/4"
CONASD12/3	12	3/4"	10/32 x 1/4"
CONASD10/3	10	3/4"	10/32 x 1/4"
CONASD8/3	8	3/4"	10/32 x 1/4"
CONASD6/3	6	1-1/4"	1/4-20 x 1/4"
CONASD4/3	4	1-1/4"	1/4-20 x 1/4"
CONASD3/3	3	1-1/4"	1/4-20 x 1/4"
CONASD2/3	2	1-1/4"	1/4-20 x 1/4"
CONASD1/3	1	1-1/4"	1/4-20 x 1/4"
CONASD1/03	1/0	1-1/2"	1/4-20 x 1/4"
CONASD2/03	2/0	1-1/2"	1/4-20 x 1/4"
CONASD3/03	3/0	1-1/2"	1/4-20 x 1/4"
CONASD4/03	4/0	2"	1/4-20 x 5/16"
CONASD250/3	250	2"	1/4-20 x 5/16"
CONASD300/3	300	2"	1/4-20 x 5/16"
CONASD350/3	350	2-1/2"	5/16-18 x 3/8"
CONASD400/3	400	2-1/2"	5/16-18 x 3/8"
CONASD500/3	500	2-1/2"	5/16-18 x 3/8"
CONASD600/3	600	3"	5/16-18 x 3/8"
CONASD750/3	750	3"	5/16-18 x 3/8"