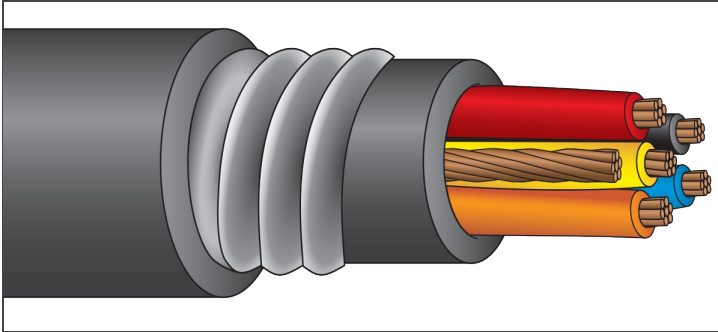


ARMORED CABLE



SERVICETECK® (TECK90)

XHHW-2 or RW90/PVC

600 Volt Copper



Description:

Class B stranded copper conductors, insulated with heat and moisture resistant, chemically crosslinked polyethylene (*type XHHW-2 or RW90*), phase identified and cabled together with **bare copper ground conductor. Cable core covered with mylar binder tape, inner PVC jacket, aluminum interlocked armor, and outer PVC jacket.

***Cable with seven conductors or more will have a green insulated ground.*

Application:

Suitable for use in exposed or concealed wiring in dry or wet locations, in ventilated or ladder type cable trays in dry or wet conditions, on walls or beams, or directly buried.

Suitable for use in hazardous locations: Class I - Groups A, B, C and D,
Class II - Groups E, F and G, Class III - All Groups.

Standards:

UL 1569

C(UL) Teck 90: UL Listed/C(UL): Certified by UL for use in Canada
ICEA S-95-658/NEMA WC-70

Flame Rated: IEEE 383 (70,000 BTU), ICEA T-29-520 (210,000 BTU),
FT-4 Flame Test, IEEE 1202/CSA FT-4, Two-hour Firewall

Temperature Rated at 90°C Wet/Dry, Cold Temperature Rated at -25°C
Sunlight Resistant, Gasoline and Oil Resistant II Jacket

Direct Burial (*includes encasement in concrete*)

Color Code: K-2 Solid Colors (3 and 5-19 conductor),

K-2 Solid Colors and Neutral White (2 and 4 conductor)

RoHS Compliant

Part Number	Number of Conductors	Grounding Conductor (AWG)	PVC Jacket Thickness Inner (mils)	PVC Jacket Thickness Outer (mils)	Diameter Inner Jacket	Diameter Armor	Diameter Overall	Approx. Net Weight (lb./1000')	Ampacity* (30°C ambient) 90°C Wet/Dry
PAAP14/2	2	14	50	50	0.39	0.59	0.69	214	25†
PAAP14/3	3	14	50	50	0.41	0.61	0.71	239	25†
PAAP14/4	4	14	50	50	0.44	0.65	0.75	271	20†
PAAP14/5	5	14	50	50	0.48	0.69	0.79	303	20†
PAAP14/7	7	14	50	50	0.56	0.77	0.87	372	17†
PAAP14/9	9	14	50	50	0.64	0.85	0.95	436	17†
PAAP14/12	12	14	50	50	0.69	0.89	0.99	505	12
PAAP14/19	19	14	50	50	0.80	1.01	1.11	673	12
PAAP12/2	2	12	50	50	0.42	0.63	0.73	253	30†
PAAP12/3	3	12	50	50	0.45	0.65	0.75	287	30†
PAAP12/4	4	12	50	50	0.49	0.69	0.79	328	24†
PAAP12/5	5	12	50	50	0.53	0.73	0.83	369	24†
PAAP12/7	7	12	50	50	0.62	0.83	0.93	464	21†
PAAP12/9	9	12	50	50	0.71	0.91	1.01	547	21†
PAAP12/12	12	12	50	50	0.77	0.97	1.07	648	15
PAAP12/19	19	12	50	50	0.89	1.09	1.19	878	15
PAAP10/2	2	10	50	50	0.47	0.67	0.77	306	40†
PAAP10/3	3	10	50	50	0.50	0.71	0.81	358	40†
PAAP10/4	4	10	50	50	0.54	0.75	0.85	413	32†
PAAP10/5	5	10	50	50	0.59	0.79	0.89	467	32†
PAAP10/7	7	10	50	50	0.70	0.91	1.01	595	28
PAAP10/9	9	10	50	50	0.80	1.01	1.11	710	28
PAAP10/12	12	10	50	50	0.87	1.07	1.17	851	20
PAAP10/19	19	10	50	50	1.01	1.27	1.37	1,208	20

*Per NEC Table 310.15 (B)(16). NOTE: The data shown is approximate and subject to standard industry tolerances.