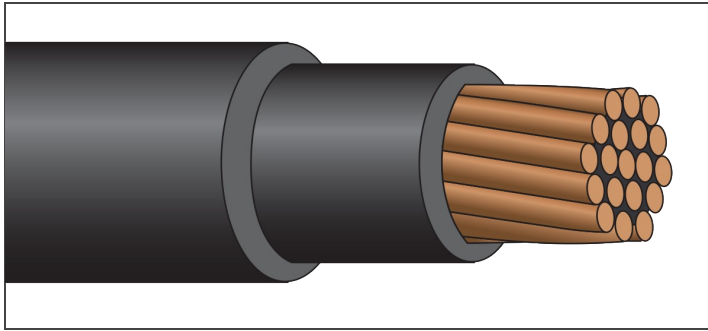


SINGLE CONDUCTORS



ServiceNET™ XHHW-2/EnviroPlus® 600/1,000 Volt Copper, LSZH Jacket



Description:

Single copper conductor, stranded and insulated with heat and moisture resistant, chemically crosslinked polyethylene (*type XHHW-2*) with an overall flame and sunlight resistant, low smoke, zero halogen, lead-free jacket. **Available as twisted multiconductor.**

Jacket available in colors. Tinned conductors available.

Application:

For use in high density, urban secondary network systems.

Standards:

ASTM E662: Low Smoke Halogen Free Jacket
UL 44
ICEA S-95-658/NEMA WC-70
Federal Spec. A-A-59544
Flame Rated: LS and CT Rated (*1/0 AWG and larger*)
Temperature Rated at 90°C Wet/Dry, Cold Temperature Rated at -40°C
Sunlight Resistant
RoHS Compliant

Part Number	Size (AWG or Kcmil)	Strand (no.)	Insulation Thickness (mils)	Jacket Thickness (mils)	Nominal Diameter Overall (in.)	Approx. Net Weight (lb./1000')	Ampacity* (30°C ambient) 90°C Wet/Dry
XHENV14	14	7	30	30	0.19	28	25†
XHENV12	12	7	30	30	0.21	38	30†
XHENV10	10	7	30	30	0.24	52	40†
XHENV8	8	7	45	30	0.30	80	55
XHENV6	6	7	45	30	0.33	116	75
XHENV4	4	7	45	30	0.38	171	95
XHENV3	3	7	45	30	0.40	208	115
XHENV2	2	7	45	30	0.43	255	130
XHENV1	1	19	55	45	0.52	335	145
XHENV1/0	1/0	19	55	45	0.59	419	170
XHENV2/0	2/0	19	55	45	0.64	514	195
XHENV3/0	3/0	19	55	45	0.69	632	225
XHENV4/0	4/0	19	55	45	0.75	780	260
XHENV250	250	37	65	65	0.84	937	290
XHENV300	300	37	65	65	0.89	1,104	320
XHENV350	350	37	65	65	0.94	1,270	350
XHENV400	400	37	65	65	0.98	1,435	380
XHENV500	500	37	65	65	1.06	1,763	430
XHENV600	600	61	80	65	1.17	2,110	475
XHENV750	750	61	80	65	1.27	2,598	535

*Per NEC Table 310.15 (B)(16). †The overcurrent protection for items marked with an obelisk (†) shall not exceed 15 amps for #14 AWG, 20 amps for #12 AWG, and 30 amps for #10 AWG per NEC 310-17 footnote. NOTE: The data shown is approximate and subject to standard industry tolerances.