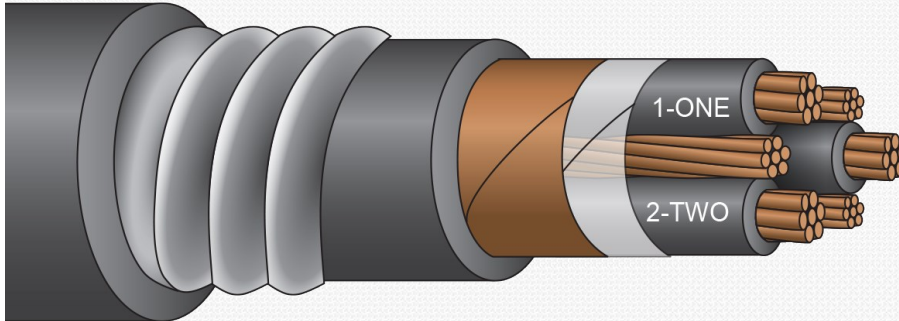


# SERVICEDRIVE®



**VFD**  
**TECK90**  
**RWU90/CPE**

**1,000 Volt**  
**Copper**



## Standards:

UL 1569  
C(UL) Teck90: UL  
Listed/C(UL): Certified  
by UL for use in  
Canada  
ICEA S-95-658/NEMA  
WC-70

## Description:

Three copper conductors, stranded and insulated with heat and moisture resistant, chemically crosslinked polyethylene (*type RWU90*), phase identified and cabled together with suitable fillers and three symmetrical copper