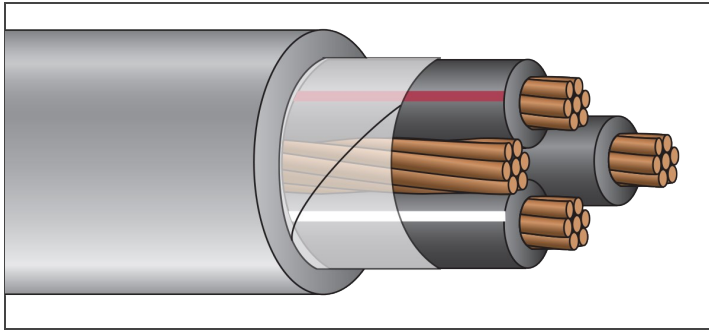


## TRAY & POWER CABLES



### SE-R XHHW-2/PVC, Service Entrance 600 Volt Copper



#### Description:

Three copper conductors, stranded and insulated with heat and moisture resistant, chemically crosslinked polyethylene (*type XHHW-2*), phase identified and cabled together with bare copper ground conductor. Cable core covered with flame retardant binder tape and overall grey PVC jacket.

#### Standards:

UL 44 and UL 854  
 ICEA S-95-658/NEMA WC70  
 Temperature Rated at 90°C Wet/Dry  
 Sunlight Resistant  
 Color Code: K-1 Stripes  
 RoHS Compliant

Part Number	Size (AWG)	Strand (no.)	Insulation Thickness (mils)	Grounding Conductor (AWG)	PVC Jacket Thickness (mils)	Approx. Diameter Overall (in.)	Approx. Net Weight (lb./1000')	Ampacity* (30°C ambient) 90°C Wet/Dry
SER6/3G6	6	7	45	6	30	0.75	432	75
SER4/3G6	4	7	45	6	30	0.82	597	95
SER3/3G5	3	7	45	5	30	0.92	747	115
SER2/3G4	2	7	45	4	30	0.97	901	130
SER1/3G3	1	19	55	3	30	1.09	1,122	145
SER1/03G2	1/0	19	55	2	30	1.19	1,387	170
SER2/03G1	2/0	19	55	1	30	1.29	1,719	195
SER3/03G1/0	3/0	19	55	1/0	30	1.42	2,138	225
SER4/03G2/0	4/0	19	55	2/0	30	1.56	2,661	260

\*Per NEC Table 310.15 (B)(16). NOTE: The data shown is approximate and subject to standard industry tolerances.